

Hoppkit BD

For swing gates with leaves up to 2.4 m, ideal for large columns



Ideal for intensive use.

Irreversible electromechanical 24 Vdc gear motor with articulated arm, surface mounted.

Two irreversible 24 Vdc versions with micrometric adjustment mechanical stops on opening and closing: with built-in control unit (HO7124) and without control unit (HO7224).

Powerful thanks to the 250 Nm torque.

Resistant and compact: 180 mm in width, ideal for any kind of post. Small shockproof body with aluminium base.

Sturdy, aluminium anti-shearing arm.

Easy to install: thanks to the new fixing bracket with quick connector for the motor. No welding.

Sophisticated electronics with the built-in control unit, use 3 keys to manage all programming operations:

- obstacle detection and possibility of connecting to 8.2 KOhm sensitive edge, fototest;
- automatic fault diagnostics;

- automatic memorization of limit switches on opening and closing with self-learning function;
- possibility of configuring the stop input in self-learning mode, NO, NC and the latest generation 8.2 KOhm resistive sensitive edges;
- deceleration on opening and closing;
- simple connection of pairs of additional photocells;
- programming of pause time;
- pedestrian open and partial open;
- clutch with anti-crush safety feature.

Energy saving with no black outs: 3 standby modes to reduce mains consumption, or battery power consumption if connected to the Solemyo kit. Operation in the event of a power failure thanks to the optional batteries (PS124).

Everything under control: thanks to compatibility for operation with Opera BUS T4, the unit O-View can be used to expand the options of programming, control and diagnostics of the automation on site and remotely.

Nice **BiDirectional products** indicate the status of the automations and confirm correct reception of the command.

Discover the complete range of BiDirectional products on page 176.

Yubii is the new Nice ecosystem that connects all the automations in the home.

Discover all the benefits of the Yubii system on page 168.

The kit contains:

HO7124 + HO7224

2 Electromechanical gearmotors, surface mounted; HO7124 (with control unit and OXIBD bidirectional radio receiver with connector included), HO7224 (without control unit).

ON3EBD

2 Transmitters 433.92 MHz, 3 channels, bidirectional

EPMB

1 Couple of external photocells designed for connection by Nice BlueBUS.

ELDC

1 LED flashing light with integrated aerial.

TS

1 Signboard.



COMMON ACCESSORIES



CORE
Nice Wi-Fi-Radio Gateway.

Pc./Pack 1



IT4WIFI
Smart Wi-fi interface to manage gates and garage doors by smart-phone (*).

Pc./Pack 1



POA3
Spare control unit, for HO7124.

Pc./Pack 1



PS124
24 V battery with integrated battery charger.

Pc./Pack 1



PLA10
Vertical 12 V electric lock.

Pc./Pack 1



PLA11
Horizontal 12 V electric lock.

Pc./Pack 1



KIO
Key-operated selector switch for low voltage contacts, with release mechanism for metal cord.

Pc./Pack 1



KA1
6 m cable release kit for KIO.

Pc./Pack 1



SOLEMYO KIT
The solar power to automate gates, garage doors or barrier gates.

See page 229.

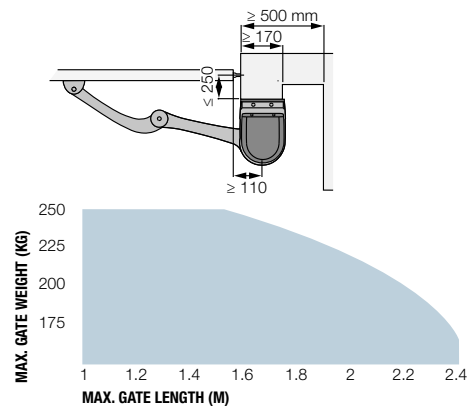
TECHNICAL SPECIFICATIONS

Code	Description	Pack/Pallet
HOPBDKCE	Kit for automating swing gates with a leaf length of up to 2.4 m, 24 Vdc, surface mounted, with bidirectional technology	12

N.B. The content of the package may vary: consult the retailer.

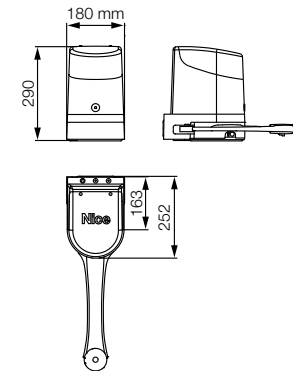
Code	HO7124	HO7224
ELECTRICAL DATA		
Power supply (Vac 50/60 Hz)	230	-
Power supply (Vdc)	-	24
Absorption (A)	1,3	4
Power (W)	280	100
PERFORMANCE DATA		
Speed (rpm)		1,68
Torque (Nm)		250
Work cycle (cycles/hour)		35
DIMENSIONAL AND GENERAL DATA		
Protection level (IP)		54
Working temp. (°C Min/Max)		-20 ÷ +50
Dimensions (mm)		252x180x290 h
Weight (kg)	9	6,5

UTILISATION LIMITS



The shape, the height of the gate and the weather conditions can considerably reduce the values shown in the graph to the side.

DIMENSIONS



* Not compatible with the Solemyo kit and PS124