

Nice

Slight

Nice motor for sliding gates up to 400 kg with leaf length up to 6 m



Courtesy
or flashing
LED light

Motor with built-in control unit and absolute encoder.

Innovative ultra-compact design: the vertical configuration of the motor makes it easy to install even in narrow openings.

User-friendly: thanks to the BlueBUS system, allowing the control unit to be connected to up to 7 pairs of photocells and control, security and signalling devices with just two wires.

Built-in LED light: programmable as either a flashing or courtesy light, it warns of gate movement during opening and closing.

Master/slave selection: for automatic synchronisation even of 2 motors, allowing automation of sliding gates with two opposing leaves.

Intelligent: thanks to obstacle detection and automatic working time programming. Self-diagnostics with flashing light signalling.

Safe: acceleration and deceleration can be adjusted at the beginning and at the end of each opening and closing manoeuvre.

Built-in absolute limit stop:

- simple and precise regulation thanks to the rapid learning in a single movement with the motor released;
- no bracket or accessory to be installed on the ratchet;
- particularly suitable in snow areas.

Practical: control unit and optional PS124 buffer batteries can be connected by means of practical guided - connector.



COMMON ACCESSORIES



CORE
Nice Wi-Fi-Radio Gateway.
Pc./Pack 1



IBT4N
Interface for connecting the O-View programming unit.
Pc./Pack 1



BIDI-ZWAVE
Plug-in communication interface between Z-Wave™ gateways and Nice motors.
Pc./Pack 1



IT4WIFI
Smart Wi-fi interface to manage gates and garage doors by smartphone (*).
Pc./Pack 1



NKA3
Spare control unit.
Pc./Pack 1



PS124
24 V battery with integrated battery charger.
Pc./Pack 1



ROA6
M4 25x20x1000 mm slotted nylon rack with metal insert. For gates weighing up to 500 kg.
Pc./Pack 10



ROA7
M4 rack, zinc coated, 22x22x1000 mm.
Pc./Pack 10



ROA8
M4 rack, 30x8x1000 mm, zinc coated with spacers and screws.
Pc./Pack 10



TS
Signboard.
Pc./Pack 1

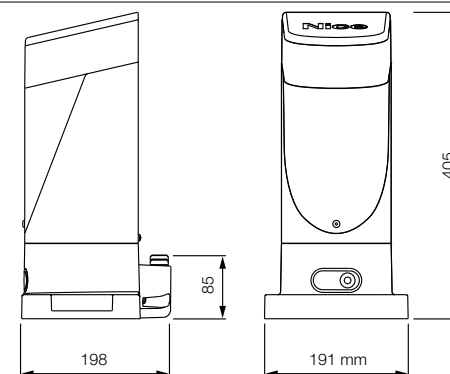


SOLEMYO KIT
The solar power to automate gates, garage doors or barrier gates.
See page 229.

TECHNICAL SPECIFICATIONS

Code	Description	Pack/Pallet
SLH400	Irreversible, 24 Vdc, with built-in control unit and absolute encoder with built-in LED light	16
ELECTRICAL DATA		
Power supply (Vac 50/60 Hz)	230	
Absorption (A)	1,1	
Power (W)	250	
PERFORMANCE DATA		
Speed (m/s)	0,34	
Force (N)	400	
Work cycle (cycles/hour)	35	
DIMENSIONAL AND GENERAL DATA		
Protection level (IP)	44	
Working temp. (°C Min/Max)	-20 ÷ +50	
Dimensions (mm)	191x198x405 h	
Weight (kg)	6,5	

DIMENSIONS



COMPATIBILITY TABLE WITH CONTROL SYSTEMS AND ACCESSORIES

Code	receiver				transmitter							photocells							flashing light					
	Built-in*	OXIBD	OXILR	ERA INTI	ERA ONE	ERA ONE BD	ERA ONE LR	ERA FLOR	NICEWAY	EPS	EPIM	EPL	EPFB	EPWB	EPLB	EPNOW	EPNOR	F210	FT210	F210B	FT210B	ELAC	ELDC	WLT
SLH400		•	•	•	•	•	•	•	•				•	•	•	•	•			•	•	•	•	

* Radio receiver incompatible with Opera system

* Not compatible with the Solemyo kit and PS124